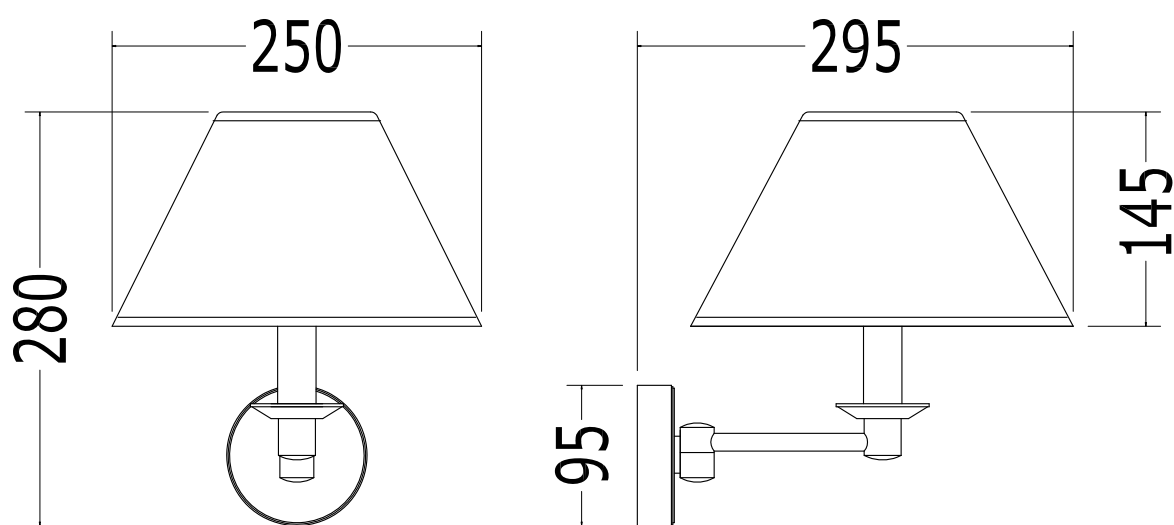


JUDITH



Art: Lampada Judith/*Judith Lamp*

Watt: MAX 40W E14

Mat: Ottone e Stampa Pelle/*Brass and Leather Effect*

Cod: VAJUDITHCR - VAJUDITHNKSA

Fin: Cromo o Nickel Satinato/*Chrome or Satin Nickel*

Peso/Weight: 1.05 kg / 1.3 kg

Classificazione/Classification: IP44

Ultima Rev/Last Rev: 16/02/2009

N.B. - Tutte le misure sono in millimetri / *All measurements are in millimetres*