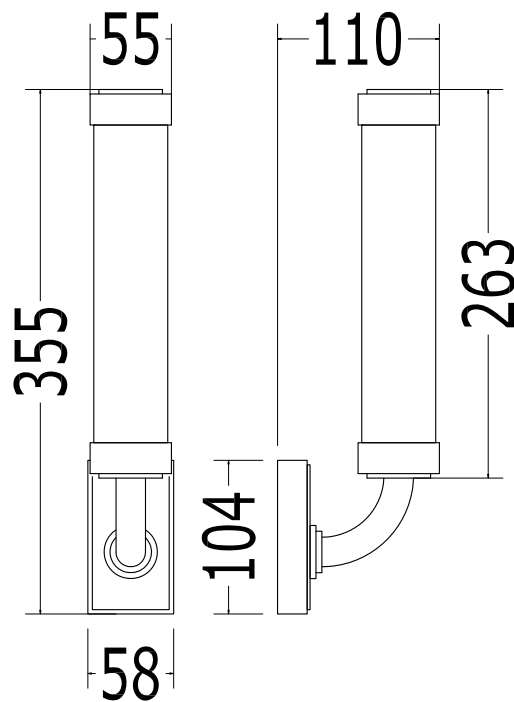


TRIBECA



Art: Lampada Tribeca/*Tribeca Lamp*

Watt: MAX 40W E14 IBT, IBC

Mat: Ottone e Vetro Satinato/*Brass and Frosted Glass*

Cod: DETRIBECACR - DETRIBECAOT

Fin: Cromo o Ottone/*Chrome or Brass*

Peso/Weight: 1.05 kg / 1.45 kg

Classificazione/Classification: IP20*

Ultima Rev/Last Rev: 16/02/2009

N.B. - Tutte le misure sono in millimetri / *All measurements are in millimetres*